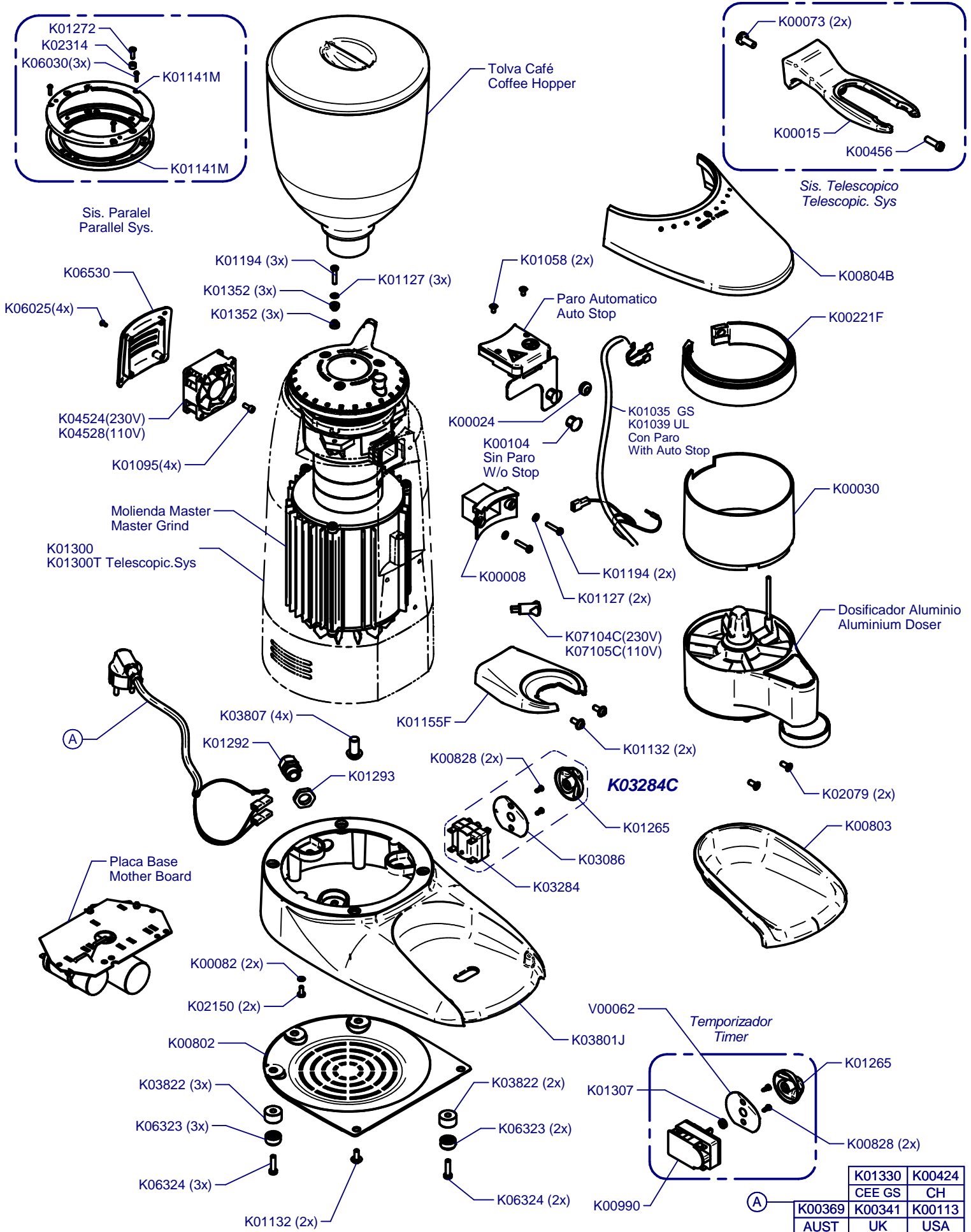


K10 Master Conic Traditional

Updated 29/09/2015

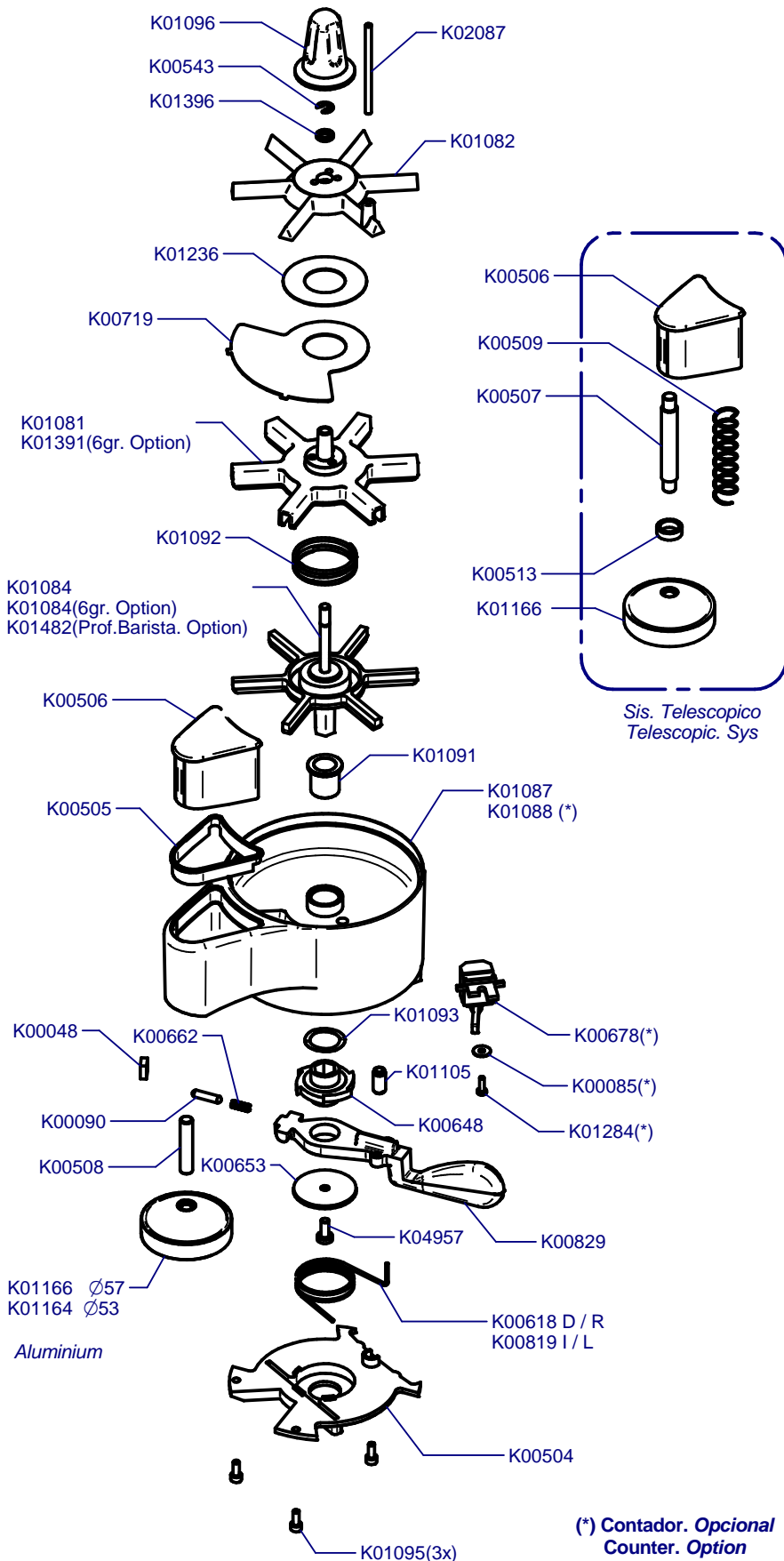


| | |
|--------|--------|
| K01330 | K00424 |
| CEE GS | CH |
| K00369 | K00341 |
| AUST | UK |
| | K00113 |
| | USA |

K10 Master Conic Traditional

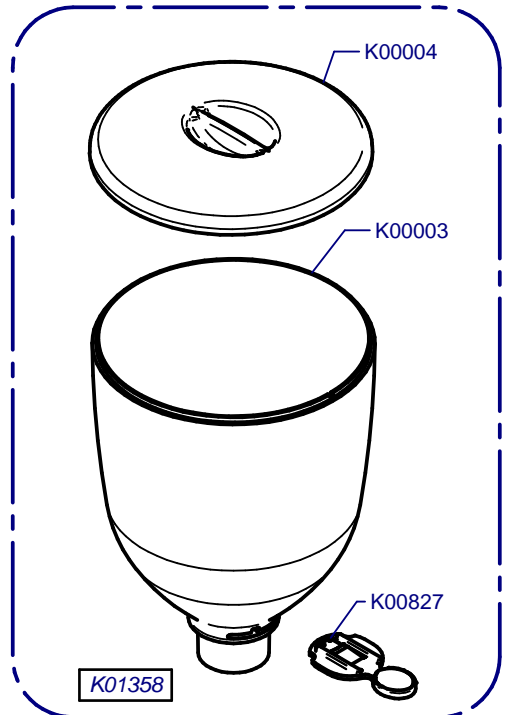
Updated 29/09/2015

Dosificador Aluminio/ Aluminium Doser

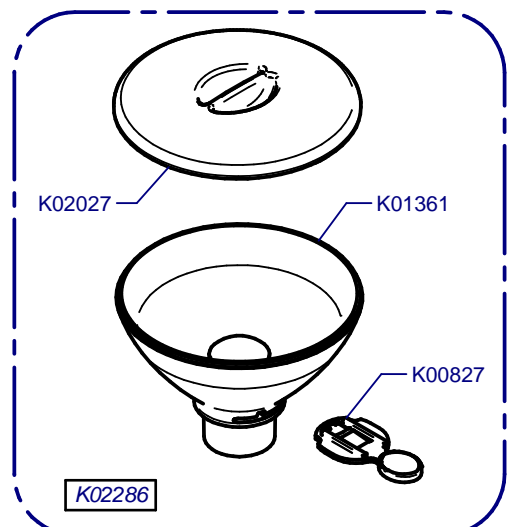


K01226

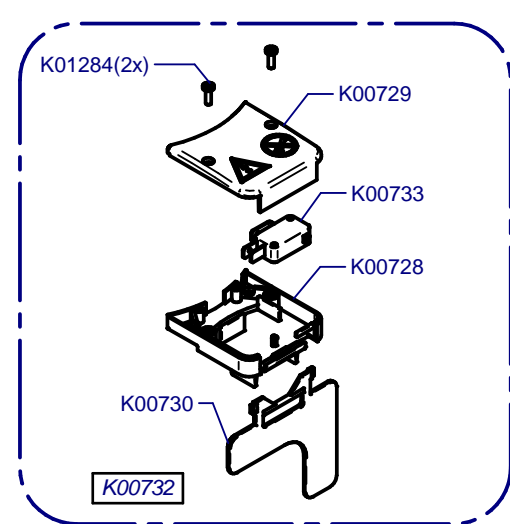
Tolva Café / Coffee Hopper



Tolva Café 275gr / Coffee Hopper 275gr

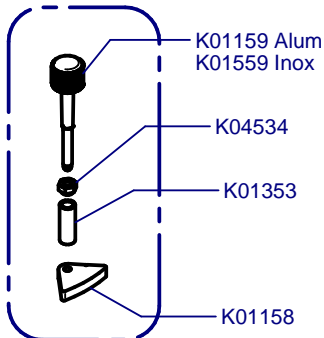


Paro Automático / Auto Stop

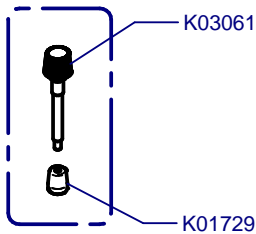


K10 Master Conic Traditional

Updated 29/09/2015



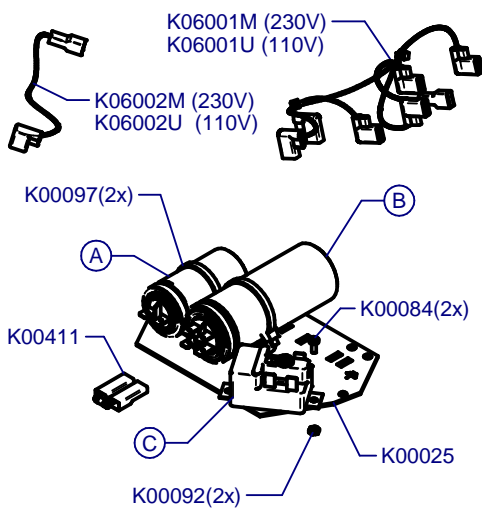
Sis. Paralel
Parallel Sys.



Sis. Micrometrico
Micrometric Sys.

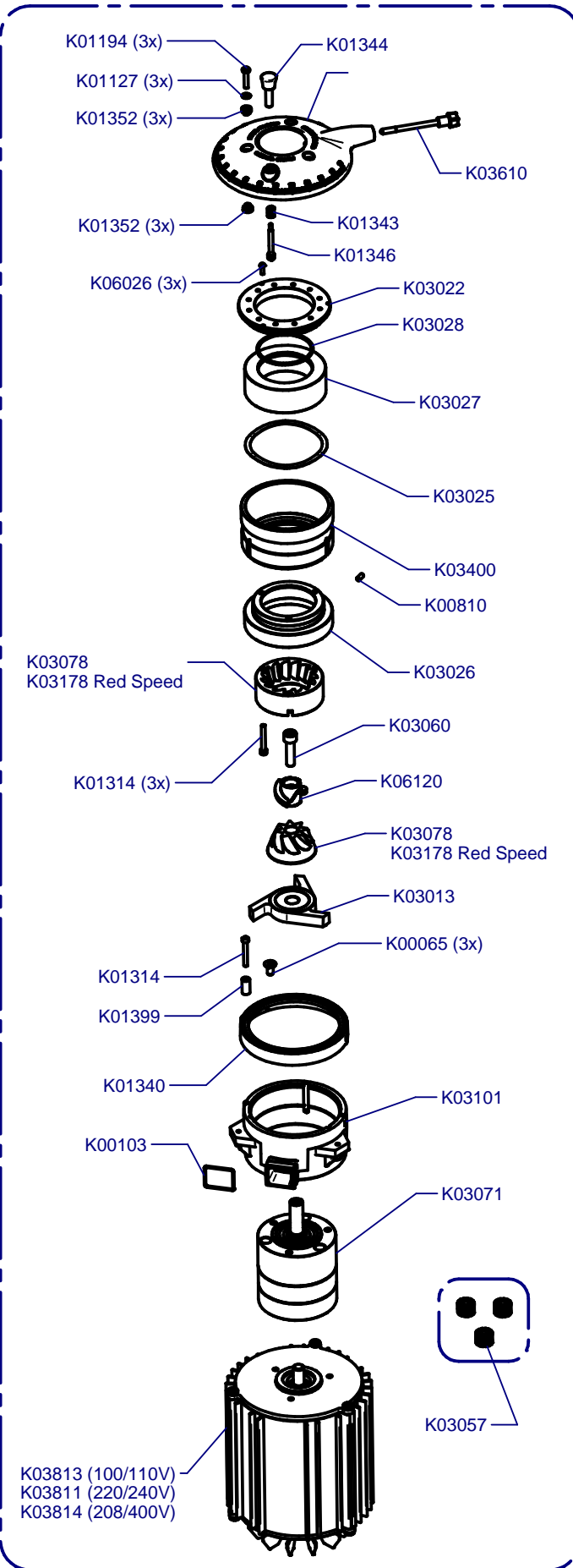
(*) **Sis. Punto a Punto**
Stepped Sys.

Placa Base / Mother Board



| | | | | | | |
|-----|--------|----------|-----|--------|--------|----------|
| (C) | K03670 | 220-240V | (A) | K04592 | K04574 | 220-240V |
| | K03823 | 100-110V | | K03825 | K03877 | 100-110V |

Molienda / Grind



| | |
|--------|------------|
| K03813 | (100/110V) |
| K03811 | (220/240V) |
| K03814 | (208/400V) |

K03057