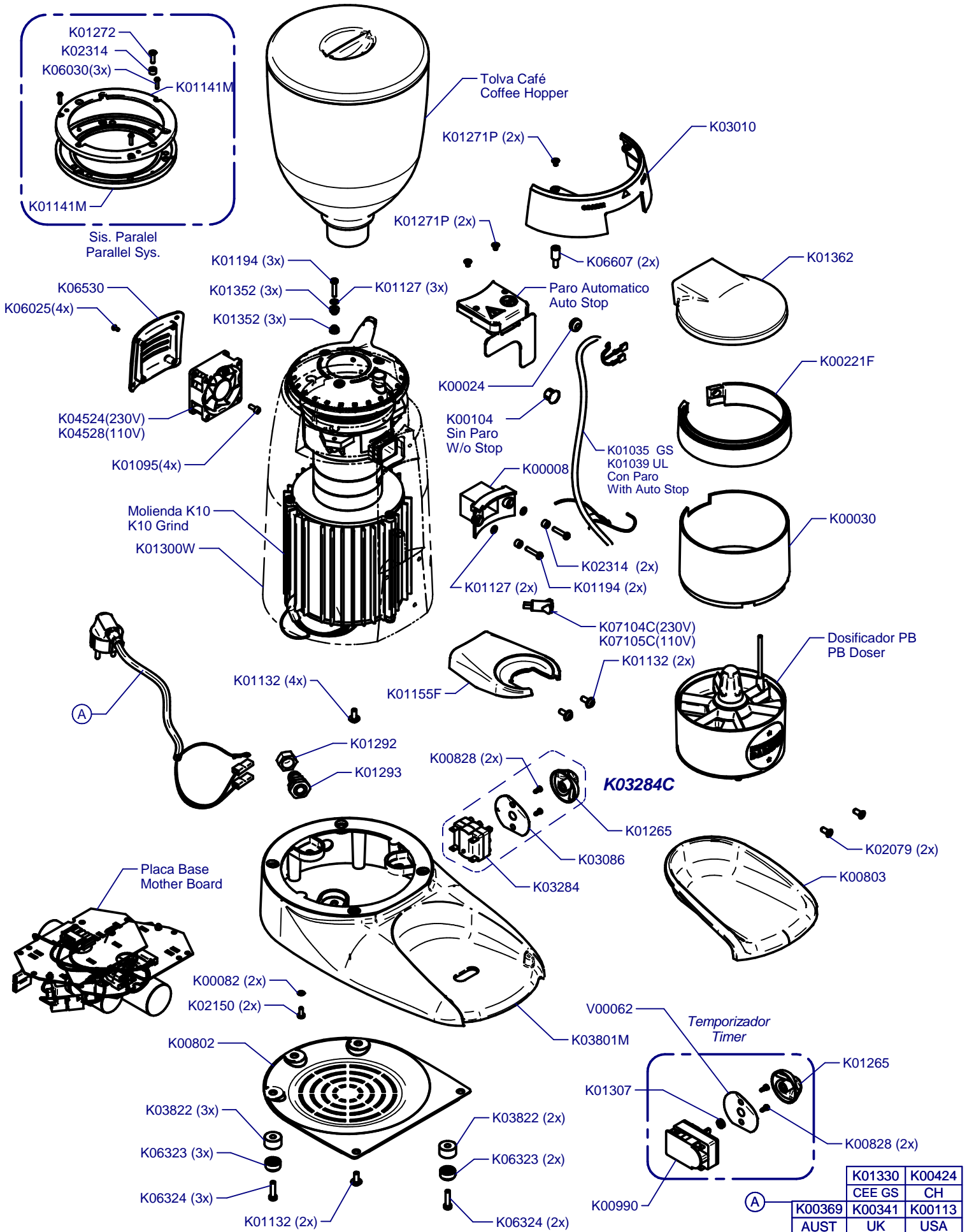


**K10 Conic Professional Barista**

Updated 29/09/2015

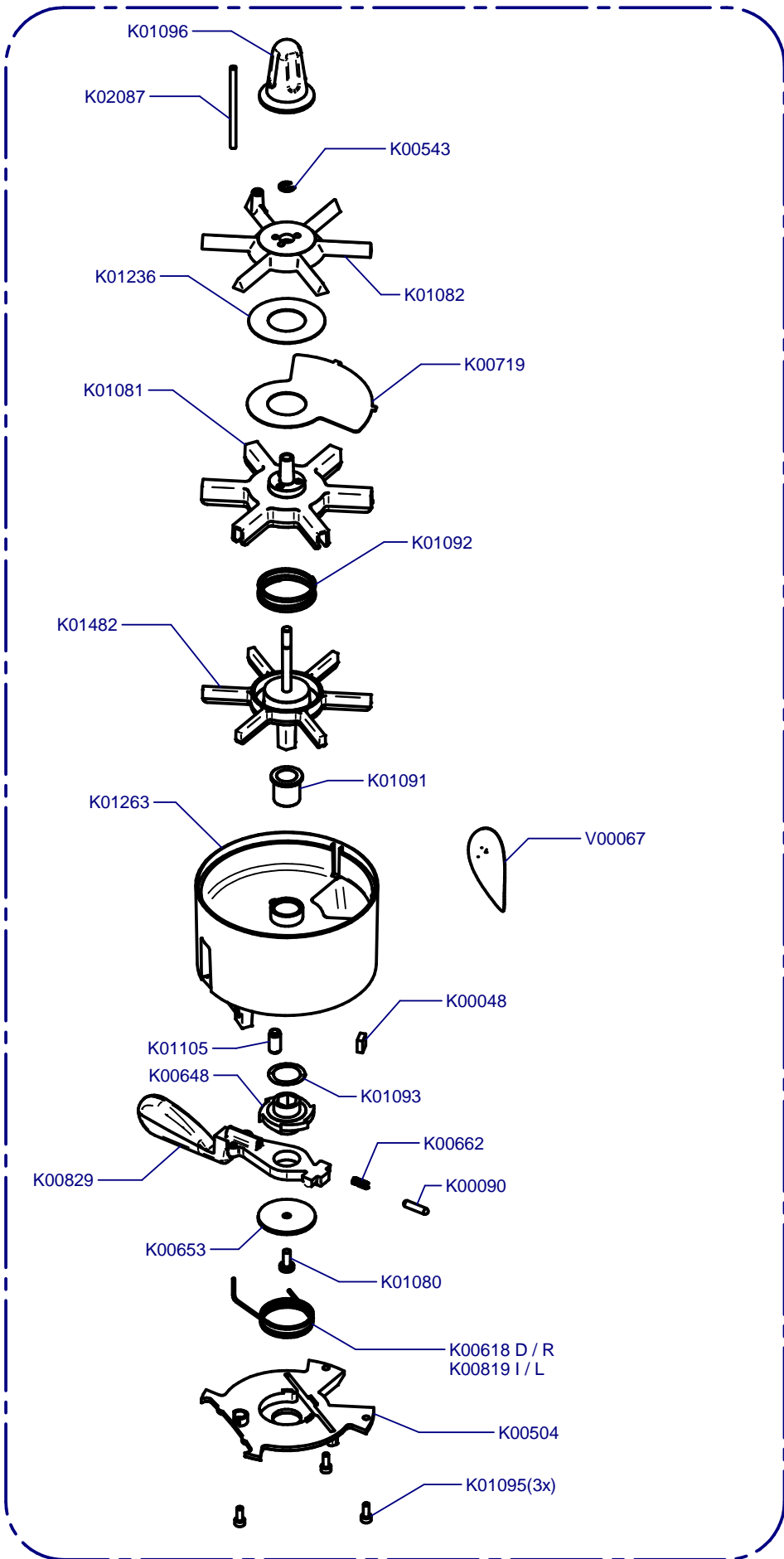


K01330	K00424
CEE GS	CH
K00369	K00341
AUST	UK
	USA

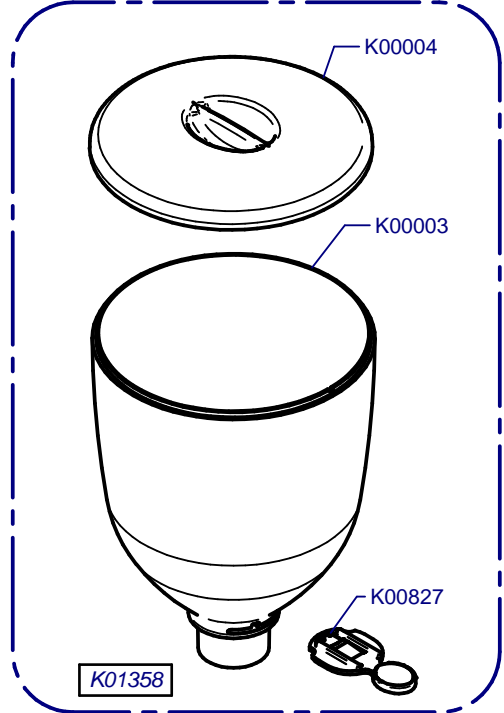
**K10 Conic Professional Barista**

Updated 29/09/2015

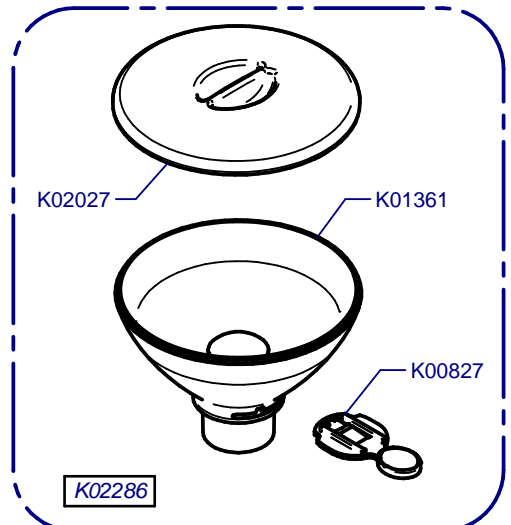
**Dosificador Aluminio/ Aluminium Doser**



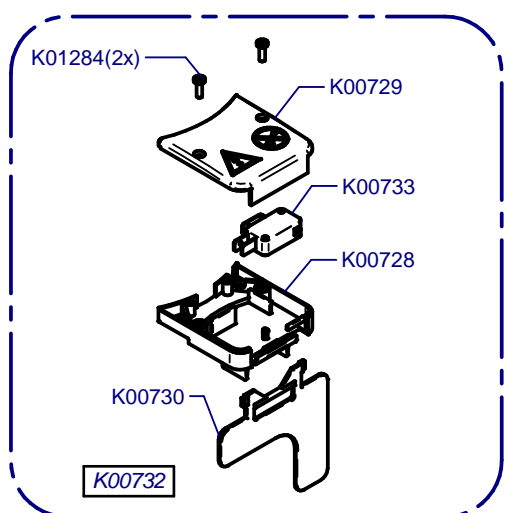
**Tolva Café / Coffee Hopper**



**Tolva Café 275gr / Coffee Hopper 275gr**

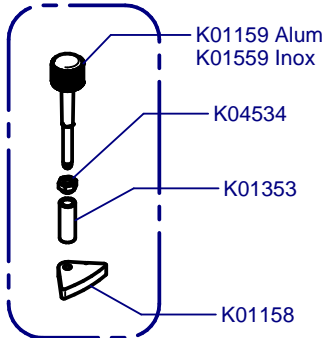


**Paro Automático / Auto Stop**

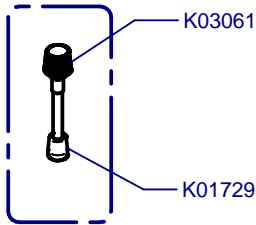


**K10 Conic Professional Barista**

Updated 29/09/2015



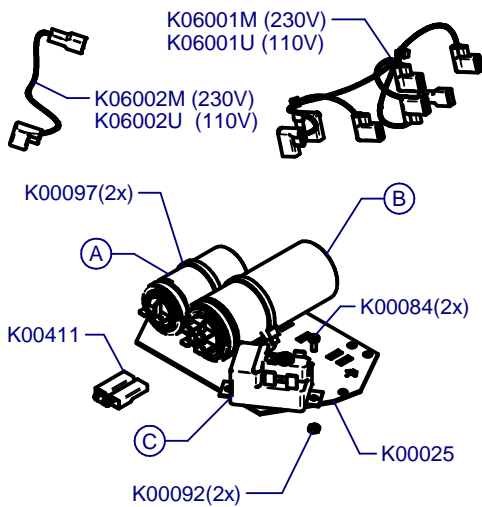
**Sis. Paralel**  
Parallel Sys.



**Sis. Micrometrico**  
Micrometric Sys.

(\*) **Sis. Punto a Punto**  
Stepped Sys.

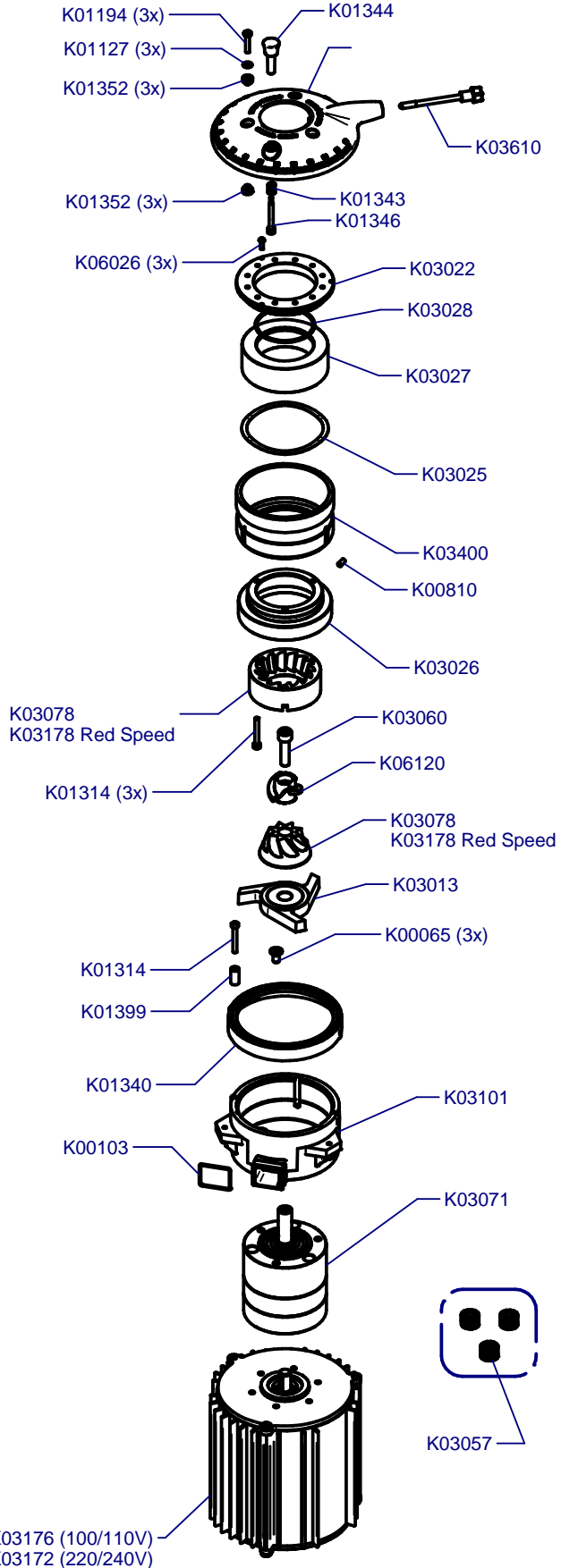
**Placa Base / Mother Board**



C	
K00496	230-240V
K00488	220V
K03175	110V
K03824	100V

A		B	
K05108	K04574	230-240V	
K05108	K04574	220V	
K03174	K03878	110V	
K03825	K03877	100V	

**Molienda / Grind**



K03176 (100/110V)  
K03172 (220/240V)